



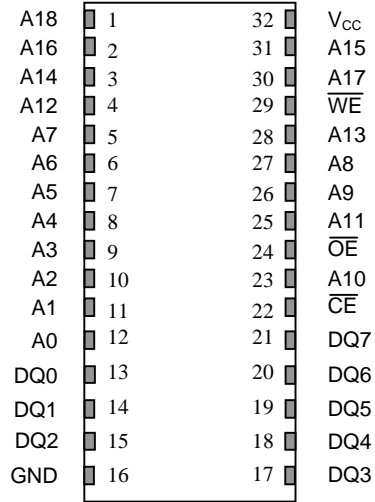
DS1747/DS1747P Y2KC Nonvolatile Timekeeping

www.dalsemi.com

FEATURES

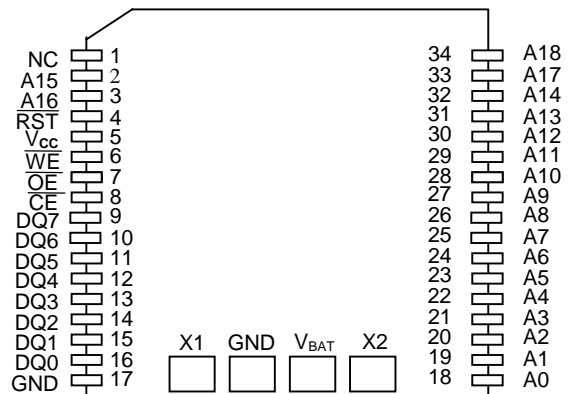
- Integrated NV SRAM, real time clock, crystal, power-fail control circuit and lithium energy source
- Clock registers are accessed identical to the static RAM. These registers are resident in the eight top RAM locations.
- Century byte register; ie., Y2K compliant
- Totally nonvolatile with over 10 years of operation in the absence of power
- BCD coded century, year, month, date, day, hours, minutes, and seconds with automatic leap year compensation valid up to the year 2100
- Battery voltage level indicator flag
- Power-fail write protection allows for $\pm 10\%$ V_{CC} power supply tolerance
- Lithium energy source is electrically disconnected to retain freshness until power is applied for the first time
- DIP Module only
 - Standard JEDEC Byte-wide 512k x 8 static RAM pinout
- PowerCap Module Board only
 - Surface mountable package for direct connection to PowerCap containing battery and crystal
 - Replaceable battery (PowerCap)
 - Power-On Reset Output
 - Pin for pin compatible with other densities of DS174XP Timekeeping RAM

PIN ASSIGNMENT



512K X 8

32-PIN ENCAPSULATED PACKAGE



34-PIN POWERCAP MODULE BOARD
(USES DS9034PCX POWERCAP)

PIN DESCRIPTION

A0–A18	– Address Input
$\overline{\text{CE}}$	– Chip Enable
$\overline{\text{OE}}$	– Output Enable
$\overline{\text{WE}}$	– Write Enable
V_{CC}	– Power Supply Input
GND	– Ground
DQ0–DQ7	– Data Input/Output
NC	– No Connection
$\overline{\text{RST}}$	– Power-on Reset Output(Power-Cap Module board only)
X1, X2	– Crystal Connection
V_{BAT}	– Battery Connection

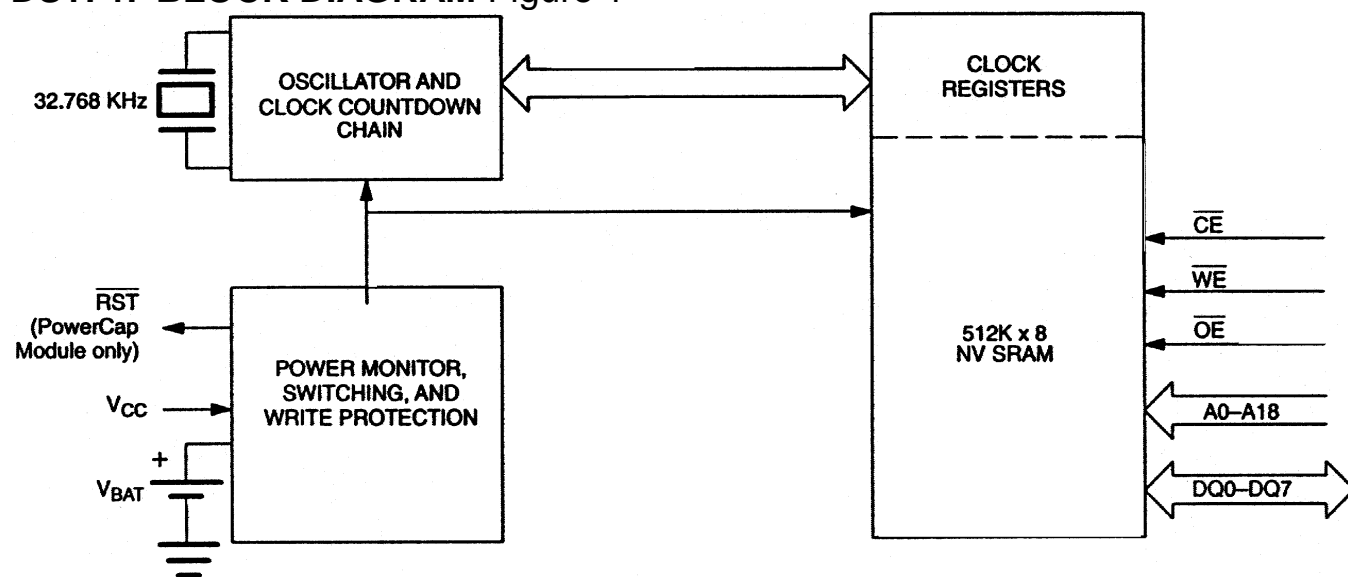
ORDERING INFORMATION

DS1747P-XXX (5 Volt)	
	→ -70 70 ns access
	→ -100 100 ns access
blank	32-pin DIP Module
P	34-pin PowerCap Module board*
DS1747WP-XXX (3.3 Volt)	
	→ -120 120 ns access
	→ -150 150 ns access
blank	32-pin DIP Module
P	34-pin PowerCap Module board*

*DS9034PCX (PowerCap) Required:
(must be ordered separately)

DESCRIPTION

The DS1747 is a full function, year 2000 compliant (Y2KC), real-time clock/calendar (RTC) and 512K x 8 non-volatile static RAM. User access to all registers within the DS1747 is accomplished with a byte-wide interface as shown in Figure 1. The Real Time Clock (RTC) information and control bits reside in the eight upper most RAM locations. The RTC registers contain century, year, month, date, day, hours, minutes, and seconds data in 24 hour BCD format. Corrections for the date of each month and leap year are made automatically. The RTC clock registers are double buffered to avoid access of incorrect data that can occur during clock update cycles. The double buffered system also prevents time loss as the timekeeping countdown continues unabated by access to time register data. The DS1747 also contains its own power-fail circuitry which deselected the device when the V_{CC} supply is in an out of tolerance condition. This feature prevents loss of data from unpredictable system operation brought on by low V_{CC} as errant access and update cycles are avoided.

DS1747 BLOCK DIAGRAM Figure 1**PACKAGES**

The DS1747 is available in two packages (32-pin DIP and 34-pin PowerCap module). The 32-pin DIP style module integrates the crystal, lithium energy source, and silicon all in one package. The 34-pin PowerCap Module Board is designed with contacts for connection to a separate PowerCap (DS9034PCX) that contains the crystal and battery. This design allows the Power-Cap to be mounted on top of the DS1747P after the completion of the surface mount process. Mounting the PowerCap after the surface mount process prevents damage to the crystal and battery due to the high temperatures required for solder reflow. The PowerCap is keyed to prevent reverse insertion. The PowerCap Module Board and PowerCap are ordered separately and shipped in separate containers. The part number for the PowerCap is DS9034PCX.

CLOCK OPERATIONS-READING THE CLOCK

While the double buffered register structure reduces the chance of reading incorrect data, internal updates to the DS1747 clock registers should be halted before clock data is read to prevent reading of data in transition. However, halting the internal clock register updating process does not affect clock accuracy. Updating is halted when a one is written into the read bit, bit 6 of the century register, see Table 2. As long as a one remains in that position, updating is halted. After a halt is issued, the registers reflect the count, that is day, date, and time that was current at the moment the halt command was issued. However, the internal clock registers of the double buffered system continue to update so that the clock accuracy is not affected by the access of data. All of the DS1747 registers are updated simultaneously after the internal clock register updating process has been re-enabled. Updating is within a second after the read bit is written to zero.

DS1747 TRUTH TABLE Table 1

V_{CC}	CE	OE	WE	MODE	DQ	POWER
$V_{CC} > V_{PF}$	V_{IH}	X	X	DESELECT	HIGH-Z	STANDBY
	V_{IL}	X	V_{IL}	WRITE	DATA IN	ACTIVE
	V_{IL}	V_{IL}	V_{IH}	READ	DATA OUT	ACTIVE
	V_{IL}	V_{IH}	V_{IH}	READ	HIGH-Z	ACTIVE
$V_{SO} < V_{CC} < V_{PF}$	X	X	X	DESELECT	HIGH-Z	CMOS STANDBY
$V_{CC} < V_{SO}$	X	X	X	DESELECT	HIGH-Z	DATA RETENTION MODE

SETTING THE CLOCK

As shown in Table 2, bit 7 of the century register is the write bit. Setting the write bit to a one, like the read bit, halts updates to the DS1747 registers. The user can then load them with the correct day, date and time data in 24 hour BCD format. Resetting the write bit to a zero then transfers those values to the actual clock counters and allows normal operation to resume.

STOPPING AND STARTING THE CLOCK OSCILLATOR

The clock oscillator may be stopped at any time. To increase the shelf life, the oscillator can be turned off to minimize current drain from the battery. The OSC bit is the MSB (bit 7) of the seconds registers, see Table 2. Setting it to a one stops the oscillator.

FREQUENCY TEST BIT

As shown in Table 2, bit 6 of the day byte is the frequency test bit. When the frequency test bit is set to logic “1” and the oscillator is running, the LSB of the seconds register will toggle at 512 Hz. When the seconds register is being read, the DQ0 line will toggle at the 512 Hz frequency as long as conditions for access remain valid (i.e., CE low, OE low, WE high, and address for seconds register remain valid and stable).

CLOCK ACCURACY (DIP MODULE)

The DS1747 is guaranteed to keep time accuracy to within ± 1 minute per month at 25°C. The clock is calibrated at the factory by Dallas Semiconductor using special calibration nonvolatile tuning elements. The DS1747 does not require additional calibration and temperature deviations will have a negligible effect in most applications. For this reason, methods of field clock calibration are not available and not necessary.

CLOCK ACCURACY (POWERCAP MODULE)

The DS1747P and DS9034PCX are each individually tested for accuracy. Once mounted together, the module is guaranteed to keep time accuracy to within ± 1.53 minutes per month (35 ppm) at 25°C.

DS1746 REGISTER MAP Table 2

ADDRESS	DATA								FUNCTION/RANGE
	B ₇	B ₆	B ₅	B ₄	B ₃	B ₂	B ₁	B ₀	
7FFFF	10 YEAR				YEAR				YEAR 00-99
7FFFE	X	X	X	10 MO		MONTH			MONTH 01-12
7FFFD	X	X	10 DATE			DATE			DATE 01-31
7FFFC	BF	FT	X	X	X	DAY			DAY 01-07
7FFFB	X	X	10 HOUR			HOUR			HOUR 00-23
7FFFA	X	10 MINUTES				MINUTES			MINUTES 00-59
7FFF9	$\overline{\text{OSC}}$	10 SECONDS				SECONDS			SECONDS 00-59
7FFF8	W	R	10 CENTURY			CENTURY			CENTURY 00-39

 $\overline{\text{OSC}}$ = STOP BIT

R = READ BIT

FT = FREQUENCY TEST

W = WRITE BIT

X = SEE NOTE BELOW

BF = BATTERY FLAG

NOTE:

All indicated “X” bits are not dedicated to any particular function and can be used as normal RAM bits.

RETRIEVING DATA FROM RAM OR CLOCK

The DS1747 is in the read mode whenever $\overline{\text{OE}}$ (output enable) is low, $\overline{\text{WE}}$ (write enable) is high, and $\overline{\text{CE}}$ (chip enable) is low. The device architecture allows ripple-through access to any of the address locations in the NV SRAM. Valid data will be available at the DQ pins within t_{AA} after the last address input is stable, providing that the $\overline{\text{CE}}$ and $\overline{\text{OE}}$ access times and states are satisfied. If $\overline{\text{CE}}$ or $\overline{\text{OE}}$ access times and states are not met, valid data will be available at the latter of chip enable access (t_{CEA}) or at output enable access time (t_{OEA}). The state of the data input/output pins (DQ) is controlled by $\overline{\text{CE}}$ and $\overline{\text{OE}}$. If the outputs are activated before t_{AA} , the data lines are driven to an intermediate state until t_{AA} . If the address inputs are changed while $\overline{\text{CE}}$ and $\overline{\text{OE}}$ remain valid, output data will remain valid for output data hold time (t_{OH}) but will then go indeterminate until the next address access.

WRITING DATA TO RAM OR CLOCK

The DS1747 is in the write mode whenever $\overline{\text{WE}}$, and $\overline{\text{CE}}$ are in their active state. The start of a write is referenced to the latter occurring transition of $\overline{\text{WE}}$ or $\overline{\text{CE}}$. The addresses must be held valid throughout the cycle. $\overline{\text{CE}}$ or $\overline{\text{WE}}$ must return inactive for a minimum of t_{WR} prior to the initiation of another read or write cycle. Data in must be valid t_{DS} prior to the end of write and remain valid for t_{DH} afterward. In a typical application, the $\overline{\text{OE}}$ signal will be high during a write cycle. However, $\overline{\text{OE}}$ can be active provided that care is taken with the data bus to avoid bus contention. If $\overline{\text{OE}}$ is low prior to $\overline{\text{WE}}$ transitioning low the data bus can become active with read data defined by the address inputs. A low transition on $\overline{\text{WE}}$ will then disable the outputs t_{WEZ} after $\overline{\text{WE}}$ goes active.

DATA RETENTION MODE

The 5 volt device is fully accessible and data can be written or read only when V_{CC} is greater than V_{PF} . However, when V_{CC} is below the power fail point, V_{PF} , (point at which write protection occurs) the internal clock registers and SRAM are blocked from any access. At this time the power fail reset output signal (\overline{RST}) is driven active and will remain active until V_{CC} returns to nominal levels. When V_{CC} falls below the battery switch point V_{SO} (battery supply level), device power is switched from the V_{CC} pin to the backup battery. RTC operation and SRAM data are maintained from the battery until V_{CC} is returned to nominal levels. The 3.3 volt device is fully accessible and data can be written or read only when V_{CC} is greater than V_{PF} . When V_{CC} falls below the power fail point, V_{PF} , access to the device is inhibited. At this time the power fail reset output signal (\overline{RST}) is driven active and will remain active until V_{CC} returns to nominal levels. If V_{PF} is less than V_{BAT} , the device power is switched from V_{CC} to the backup supply (V_{BAT}) when V_{CC} drops below V_{PF} . If V_{PF} is greater than V_{BAT} , the device power is switched from V_{CC} to the backup supply (V_{BAT}) when V_{CC} drops below V_{BAT} . RTC operation and SRAM data are maintained from the battery until V_{CC} is returned to nominal levels. The \overline{RST} signal is an open drain output and requires a pull up. Except for the \overline{RST} , all control, data, and address signals must be powered down when V_{CC} is powered down.

BATTERY LONGEVITY

The DS1747 has a lithium power source that is designed to provide energy for clock activity, and clock and RAM data retention when the V_{CC} supply is not present. The capability of this internal power supply is sufficient to power the DS1747 continuously for the life of the equipment in which it is installed. For specification purposes, the life expectancy is 10 years at 25°C with the internal clock oscillator running in the absence of V_{CC} power. Each DS1747 is shipped from Dallas Semiconductor with its lithium energy source disconnected, guaranteeing full energy capacity. When V_{CC} is first applied at a level greater than V_{PF} , the lithium energy source is enabled for battery backup operation. Actual life expectancy of the DS1747 will be much longer than 10 years since no lithium battery energy is consumed when V_{CC} is present.

BATTERY MONITOR

The DS1747 constantly monitors the battery voltage of the internal battery. The Battery Flag bit (bit 7) of the day register is used to indicate the voltage level range of the battery. This bit is not writable and should always be a one when read. If a zero is ever present, an exhausted lithium energy source is indicated and both the contents of the RTC and RAM are questionable.

ABSOLUTE MAXIMUM RATINGS*

Voltage on Any Pin Relative to Ground	-0.3V to +6.0V
Operating Temperature	0°C to 70°C
Storage Temperature	-20°C to +70°C
Soldering Temperature	260°C for 10 seconds (See Note 7)

* This is a stress rating only and functional operation of the device at these or any other condition above those indicated in the operation sections of this specification is not implied. Exposure to absolute maximum rating conditions for extended periods of time may affect reliability.

RECOMMENDED DC OPERATING CONDITIONS (0°C to 70°C)

PARAMETER	SYMBOL	MIN	TYP	MAX	UNITS	NOTES
Logic 1 Voltage All Inputs $V_{CC} = 5V \pm 10\%$	V_{IH}	2.2		$V_{CC} + 0.3V$	V	1
$V_{CC} = 3.3V \pm 10\%$	V_{IH}	2.0		$V_{CC} + 0.3V$	V	1
Logic 0 Voltage All Inputs $V_{CC} = 5V \pm 10\%$	V_{IL}	-0.3		0.8	V	1
$V_{CC} = 3.3V \pm 10\%$	V_{IL}	-0.3		0.6	V	1

DC ELECTRICAL CHARACTERISTICS (0°C to 70°C; $V_{CC} = 5.0V \pm 10\%$)

PARAMETER	SYMBOL	MIN	TYP	MAX	UNITS	NOTES
Active Supply Current	I_{CC}		X	85	mA	2,3
TTL Standby Current ($\overline{CE} = V_{IH}$)	I_{CC1}		X	6	mA	2,3
CMOS Standby Current ($\overline{CE} \geq V_{CC} - 0.2V$)	I_{CC2}		X	4	mA	2,3
Input Leakage Current (any input)	I_{IL}	-1		+1	μA	
Output Leakage Current (any output)	I_{OL}	-1		+1	μA	
Output Logic 1 Voltage ($I_{OUT} = -1.0 mA$)	V_{OH}	2.4				1
Output Logic 0 Voltage ($I_{OUT} = +2.1 mA$)	V_{OL}			0.4		1
Write Protection Voltage	V_{PF}	4.25	4.37	4.50	V	1
Battery Switch Over Voltage	V_{SO}		V_{BAT}			1,4

DC ELECTRICAL CHARACTERISTICS (0°C to 70°C; V_{CC} = 3.3V ± 10%)

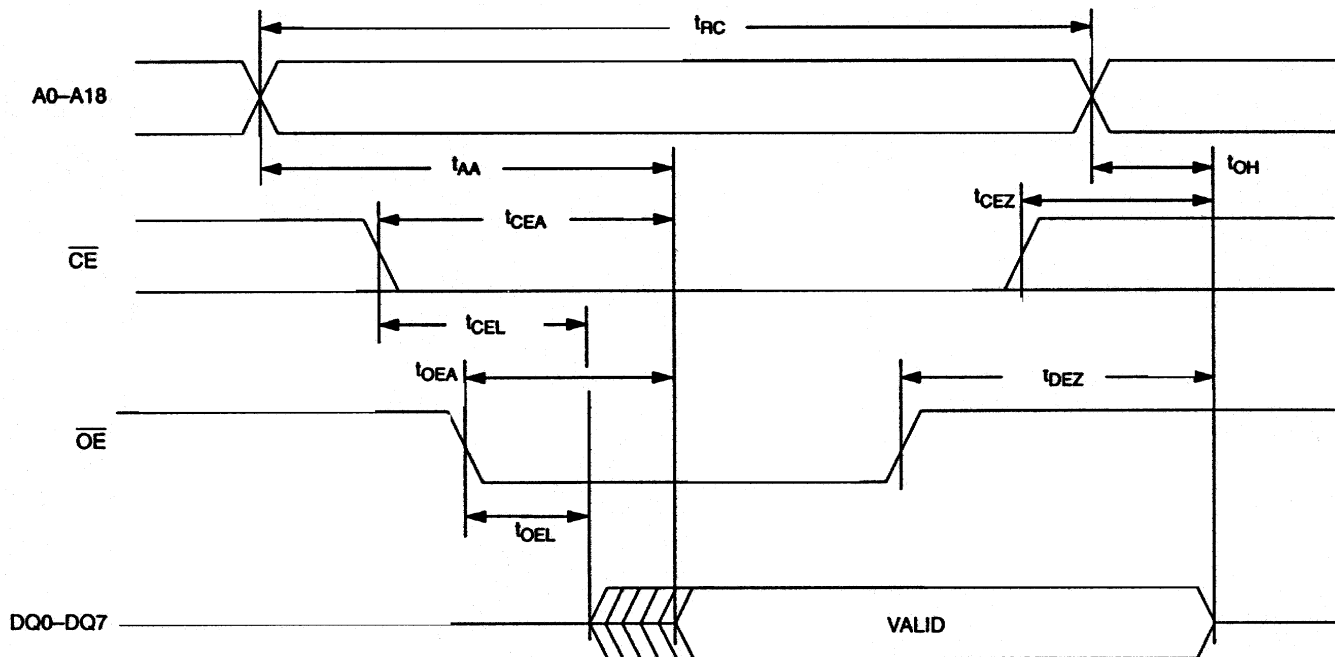
PARAMETER	SYMBOL	MIN	TYP	MAX	UNITS	NOTES
Active Supply Current	I _{CC}		X	30	mA	2,3
TTL Standby Current ($\overline{CE} = V_{IH}$)	I _{CC1}		X	2	mA	2,3
CMOS Standby Current ($\overline{CE} \geq V_{CC} - 0.2V$)	I _{CC2}		X	2	mA	2,3
Input Leakage Current (any input)	I _{IL}	-1		+1	μA	
Output Leakage Current (any output)	I _{OL}	-1		+1	μA	
Output Logic 1 Voltage (I _{OUT} = -1.0 mA)	V _{OH}	2.4				1
Output Logic 0 Voltage (I _{OUT} = +2.1 mA)	V _{OL}			0.4		1
Write Protection Voltage	V _{PF}	4.25	4.37	2.97	V	1
Battery Switch Over Voltage	V _{SO}		V _{BAT} or V _{PF}		V	1,4

READ CYCLE, AC CHARACTERISTICS (0°C to 70°C; V_{CC} = 5.0V ± 10%)

PARAMETER	SYMBOL	70 ns access		100 ns access		UNITS	NOTES
		MIN	MAX	MIN	MAX		
Read Cycle Time	t _{RC}	70		100		ns	
Address Access Time	t _{AA}		70		100	ns	
\overline{CE} to DQ Low-Z	t _{CEL}	5		5		ns	
\overline{CE} Access Time	t _{CEA}		70		100	ns	
\overline{CE} Data Off Time	t _{CEZ}		25		35	ns	
\overline{OE} to DQ Low-Z	t _{OEL}	5		5		ns	
\overline{OE} Access Time	t _{OEA}		35		55	ns	
\overline{OE} Data Off Time	t _{OEZ}		25		35	ns	
Output Hold from Address	t _{OH}	5		5		ns	

READ CYCLE, AC CHARACTERISTICS (0°C to 70°C; V_{CC} = 3.3V ± 10%)

PARAMETER	SYMBOL	120 ns access		150 ns access		UNITS	NOTES
		MIN	MAX	MIN	MAX		
Read Cycle Time	t_{RC}	70		100		ns	
Address Access Time	t_{AA}		70		100	ns	
\overline{CE} to DQ Low-Z	t_{CEL}	5		5		ns	
\overline{CE} Access Time	t_{CEA}		70		100	ns	
\overline{CE} Data Off Time	t_{CEZ}		25		35	ns	
\overline{OE} to DQ Low-Z	t_{OEL}	5		5		ns	
\overline{OE} Access Time	t_{OEA}		35		55	ns	
\overline{OE} Data Off Time	t_{OEZ}		25		35	ns	
Output Hold from Address	t_{OH}	5		5		ns	

READ CYCLE TIMING DIAGRAM

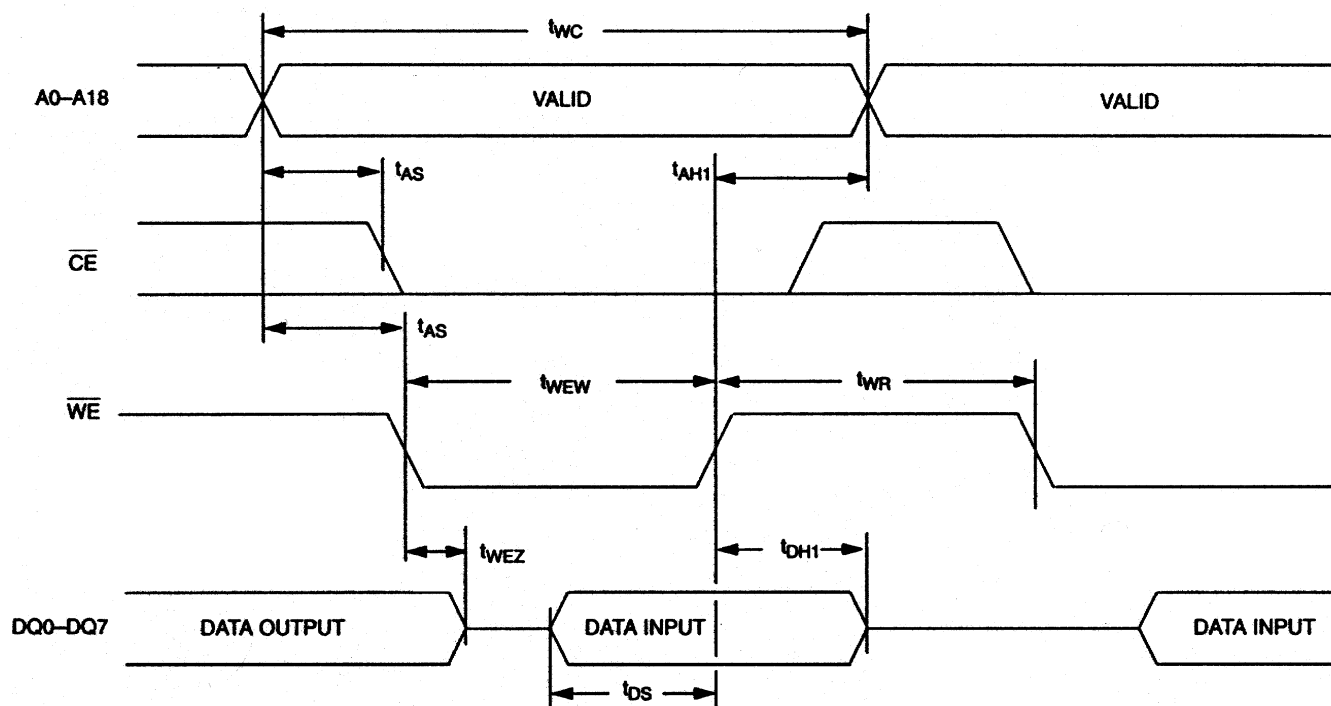
WRITE CYCLE, AC CHARACTERISTICS (0°C to 70°C; V_{CC} = 5.0V ± 10%)

PARAMETER	SYMBOL	70 ns access		100 ns access		UNITS	NOTES
		MIN	MAX	MIN	MAX		
Write Cycle Time	t _{WC}	70		100		ns	
Address Setup Time	t _{AS}	0		0		ns	
$\overline{\text{WE}}$ Pulse Width	t _{WEW}	50		70		ns	
$\overline{\text{CE}}$ Pulse Width	t _{CEW}	60		75		ns	
Data Setup Time	t _{DS}	30		40		ns	
Data Hold Time	t _{DH1}	0		0		ns	8
Data Hold Time	t _{DH2}	X		X		ns	9
Address Hold Time	t _{AH1}	5		5		ns	8
Address Hold Time	t _{AH2}	X		X		ns	9
$\overline{\text{WE}}$ Data Off Time	t _{WEZ}		25		35	ns	
Write Recovery Time	t _{WR}	5		5		ns	

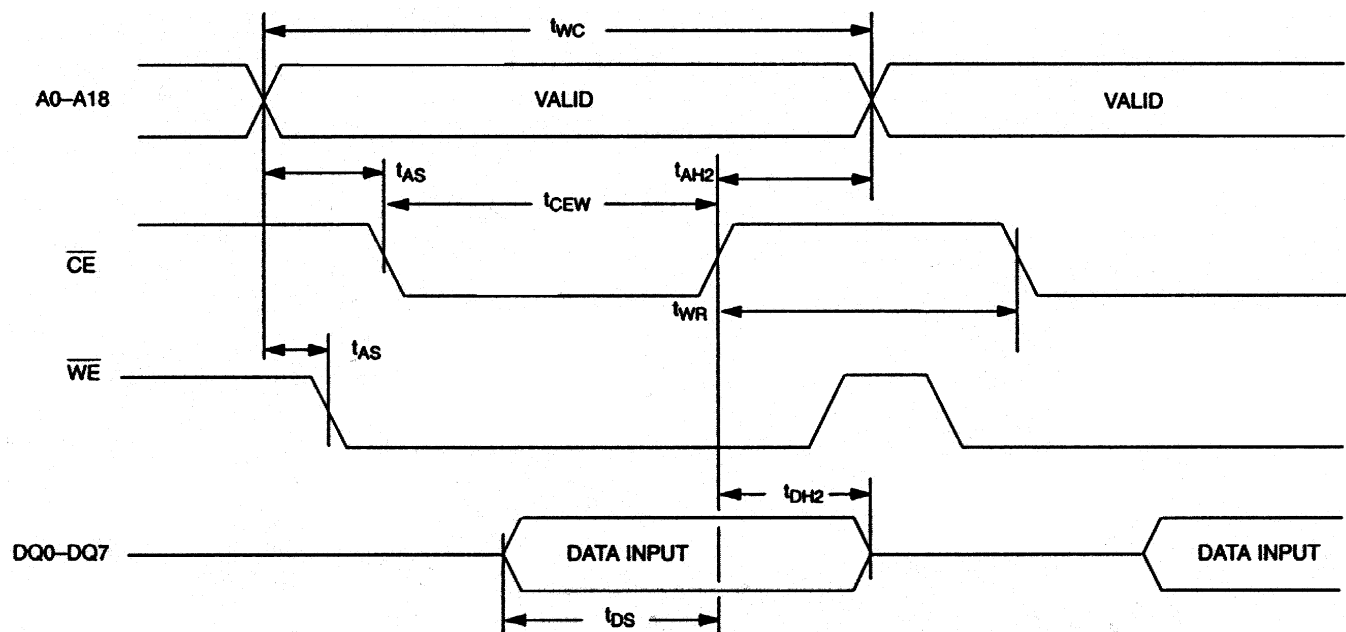
WRITE CYCLE, AC CHARACTERISTICS (0°C to 70°C; V_{CC} = 3.3V ± 10%)

PARAMETER	SYMBOL	120 ns access		150 ns access		UNITS	NOTES
		MIN	MAX	MIN	MAX		
Write Cycle Time	t _{WC}	120		150		ns	
Address Setup Time	t _{AS}	0		0		ns	
$\overline{\text{WE}}$ Pulse Width	t _{WEW}	100		130		ns	
$\overline{\text{CE}}$ Pulse Width	t _{CEW}	110		140		ns	
$\overline{\text{CE}}$ and CE2 Pulse Width	t _{CEW}	110		140		ns	
Data Setup Time	t _{DS}	80		90		ns	
Data Hold Time	t _{DH1}	0		0		ns	8
Data Hold Time	t _{DH2}	X		X		ns	9
Address Hold Time	t _{AH1}	0		0		ns	8
Address Hold Time	t _{AH2}	X		X		ns	9
$\overline{\text{WE}}$ Data Off Time	t _{WEZ}		40		50	ns	
Write Recovery Time	t _{WR}	10		10		ns	

WRITE CYCLE TIMING DIAGRAM, WRITE ENABLE CONTROLLED

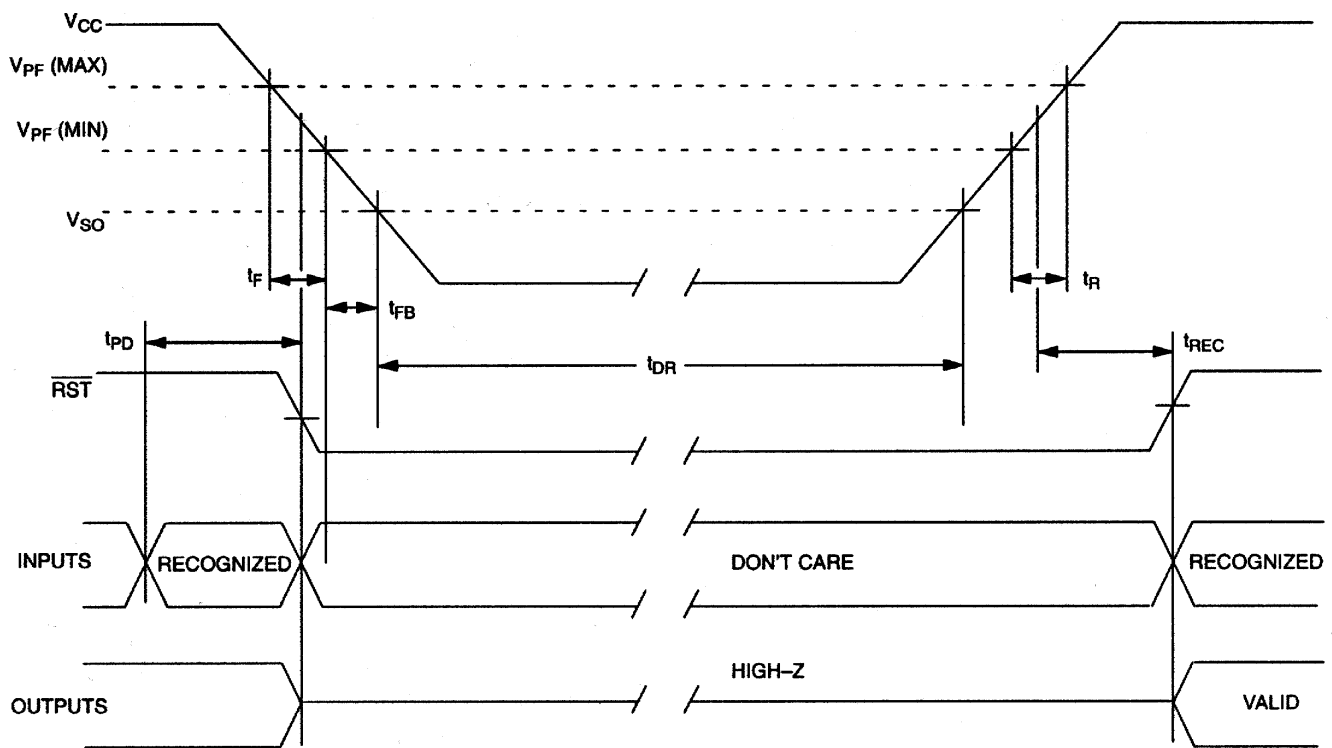


WRITE CYCLE TIMING DIAGRAM, CHIP ENABLE CONTROLLED



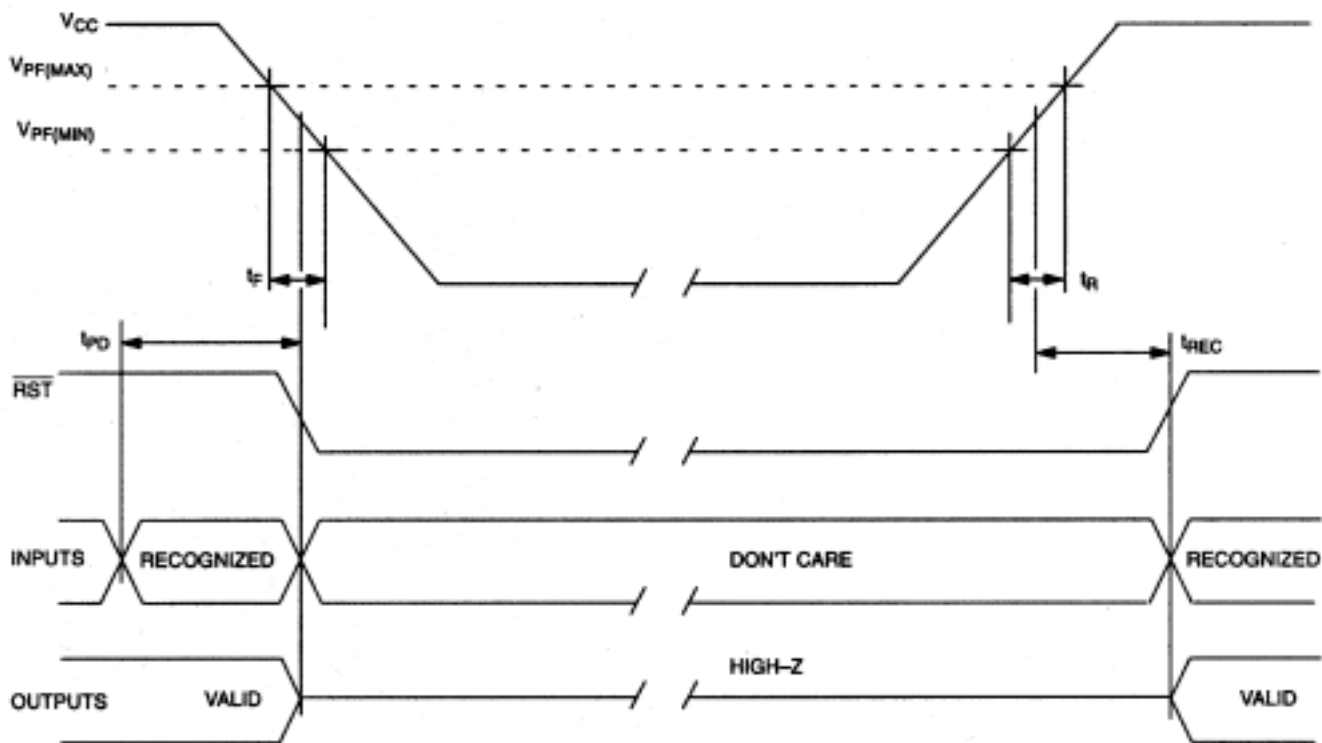
POWER-UP/DOWN AC CHARACTERISTICS (0°C to 70°C; $V_{CC} = 5.0V \pm 10\%$)

PARAMETER	SYMBOL	MIN	TYP	MAX	UNITS	NOTES
CE or WE at V_H Before Power-down	t_{PD}	0			μs	
V_{CC} Fall Time: $V_{PF(MAX)}$ to $V_{PF(MIN)}$	t_F	300			μs	
V_{CC} Fall Time: $V_{PF(MIN)}$ to V_{SO}	t_{FB}	10			μs	
V_{CC} Rise Time: $V_{PF(MIN)}$ to $V_{PF(MAX)}$	t_R	0			μs	
Power-up Recover Time	t_{REC}			35	ms	
Expected Data Retention Time (Oscillator ON)	t_{DR}	10			years	5,6

POWER-UP/POWER-DOWN TIMING 5 VOLT DEVICE

POWER-UP/DOWN CHARACTERISTICS (0°C to 70°C; V_{CC} = 3.3V ±10%)

PARAMETER	SYMBOL	MIN	TYP	MAX	UNITS	NOTES
CE or WE at V _H , Before Power-down	t _{PD}	0			μs	
V _{CC} Fall Time: V _{PF} (MAX) to V _{PF} (Min)	t _F	300			μs	
V _{CC} Rise Time: V _{PF} (MIN) to V _{PF} (MAX)	t _R	0			μs	
V _{PF} to $\overline{\text{RST}}$ High	t _{REC}			35	ms	
Expected Data Retention Time (Oscillator ON)	t _{DR}	10			years	5,6

POWER-UP/DOWN WAVEFORM TIMING 3.3 VOLT DEVICE**CAPACITANCE**(t_A = 25°C)

PARAMETER	SYMBOL	MIN	TYP	MAX	UNITS	NOTES
Capacitance on all input pins	C _{IN}			7	pF	
Capacitance on all output pins	C _O			10	pF	

AC TEST CONDITIONS

Output Load: 100 pF + 1TTL Gate

Input Pulse Levels: 0.0 to 3.0 Volts

Timing Measurement Reference Levels:

Input: 1.5V

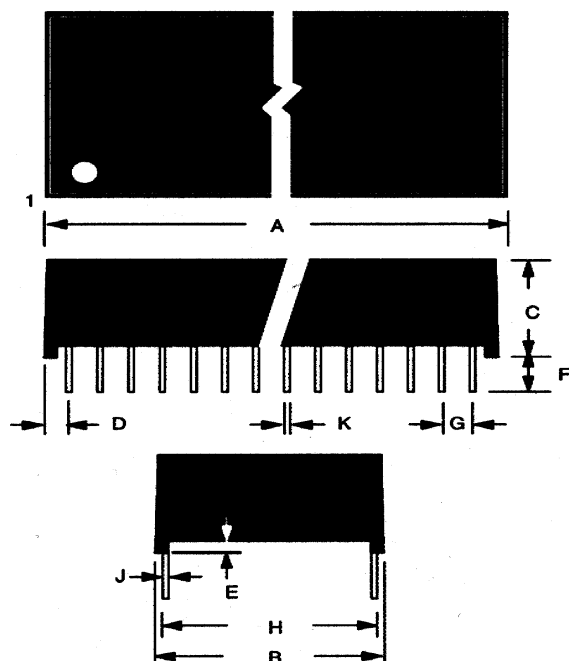
Output: 1.5V

Input Pulse Rise and Fall Times: 5 ns

NOTES:

1. Voltages are referenced to ground.
2. Typical values are at 25°C and nominal supplies.
3. Outputs are open.
4. Battery switch over occurs at the lower of either the battery terminal voltage or V_{PF} .
5. Data retention time is at 25°C.
6. Each DS1747 has a built-in switch that disconnects the lithium source until V_{CC} is first applied by the user. The expected t_{DR} is defined for DIP modules and assembled PowerCap modules as a cumulative time in the absence of V_{CC} starting from the time power is first applied by the user.
7. Real-Time Clock Modules (DIP) can be successfully processed through conventional wave-soldering techniques as long as temperatures as long as temperature exposure to the lithium energy source contained within does not exceed +85°C. Post solder cleaning with water washing techniques is acceptable, provided that ultra-sonic vibration is not used.
In addition, for the PowerCap:
 - a. Dallas Semiconductor recommends that PowerCap Module bases experience one pass through solder reflow oriented with the label side up (“live – bug”).
 - b. Hand Soldering and touch-up: Do not touch or apply the soldering iron to leads for more than 3 (three) seconds. To solder, apply flux to the pad, heat the lead frame pad and apply solder. To remove the part, apply flux, heat the lead frame pad until the solder reflows and use a solder wick to remove solder.
8. t_{AH1} , t_{DH1} are measured from \overline{WE} going high.
9. t_{AH2} , t_{DH2} are measured from \overline{CE} going high.

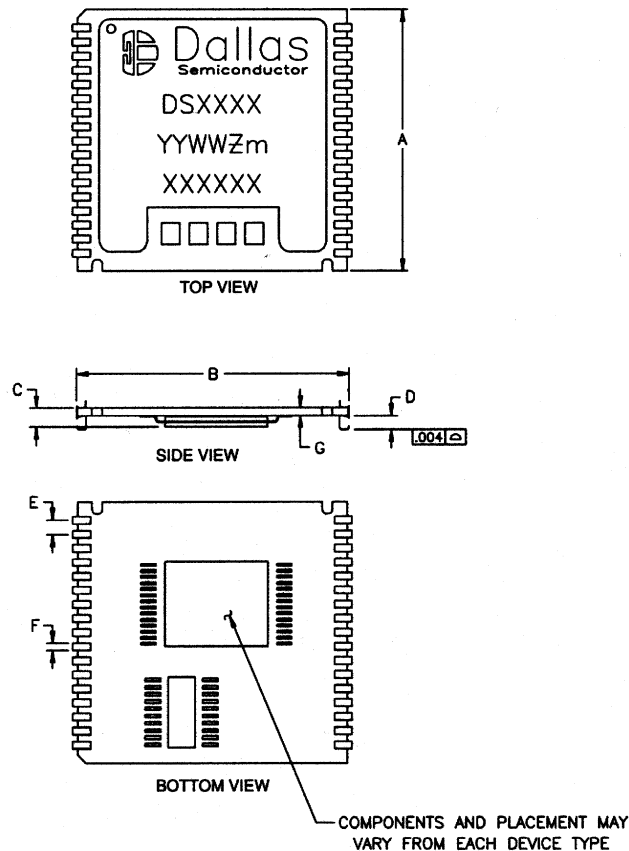
DS1747 32-PIN PACKAGE



PKG	32-PIN	
DIM	MIN	MAX
A IN.	1.670	1.690
MM	38.42	38.93
B IN.	0.715	0.740
MM	18.16	18.80
C IN.	0.335	0.365
MM	8.51	9.27
D IN.	0.075	0.105
MM	1.91	0.67
E IN.	0.015	0.030
MM	0.38	0.76
F IN.	0.140	0.180
MM	3.56	4.57
G IN.	0.090	0.110
MM	2.29	2.79
H IN.	0.590	0.630
MM	14.99	16.00
J IN.	0.010	0.018
MM	0.25	0.45
K IN.	0.015	0.025
MM	0.38	0.64

DS1747P

PKG DIM	INCHES		
	MIN	NOM	MAX
A	0.920	0.925	0.930
B	0.980	0.985	0.990
C	-	-	0.080
D	0.052	0.055	0.058
E	0.048	0.050	0.052
F	0.015	0.020	0.025
G	0.025	0.027	0.030

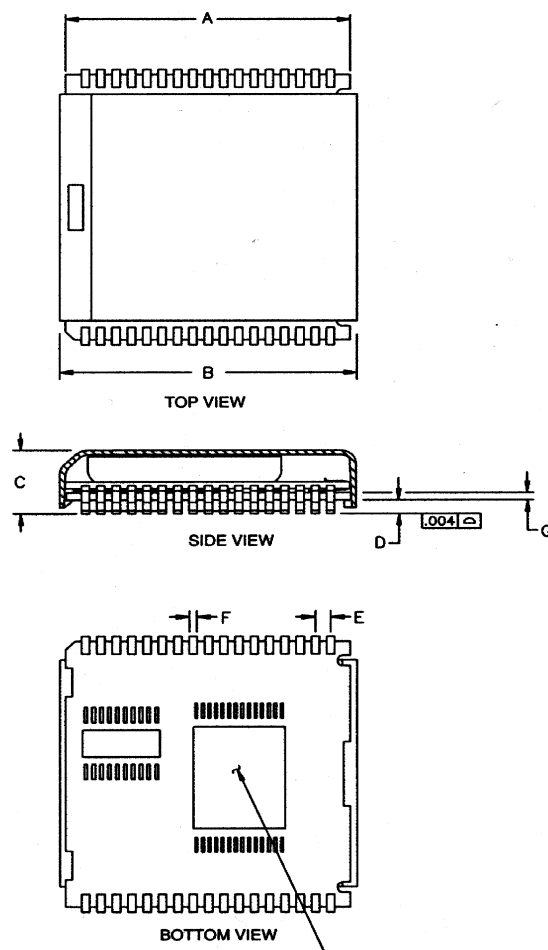
**NOTE:**

Dallas Semiconductor recommends that PowerCap Module bases experience one pass through solder reflow oriented with the label side up (“live – bug”).

Hand Soldering and touch-up: Do not touch or apply the soldering iron to leads for more than 3 (three) seconds. To solder, apply flux to the pad, heat the lead frame pad and apply solder. To remove the part, apply flux, heat the lead frame pad until the solder reflows and use a solder wick to remove solder.

DS1747P WITH DS9034PCX ATTACHED

PKG	INCHES		
	DIM	MIN	NOM
A	0.920	0.925	0.930
B	0.955	0.960	0.965
C	0.240	0.245	0.250
D	0.052	0.055	0.058
E	0.048	0.050	0.052
F	0.015	0.020	0.025
G	0.020	0.025	0.030



COMPONENTS AND PLACEMENT MAY VARY FROM EACH DEVICE TYPE

RECOMMENDED POWERCAP MODULE LAND PATTERN

PKG DIM	INCHES		
	MIN	NOM	MAX
A	-	1.050	-
B	-	0.826	-
C	-	0.050	-
D	-	0.030	-
E	-	0.112	-

